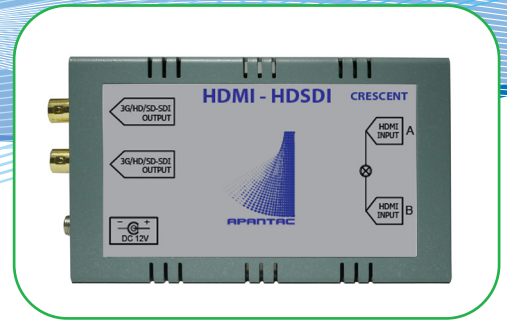


CRESCENT

HDMI to SDI Converter

1x4 Distribution Amplifier



- Supports HDMI 1.3 and HDCP
- Supports 1080p output up to 35 meters (115 feet)
- Supports 720p/1080i output up to 60 meters (200 feet)
- SD-SDI / HD-SDI Output

HDMI-HSDSI
HDMI to SDI
Converter with
Looping Outputs

DA-4HD
Reclocking
1 x 4 SDI
Distribution
Amplifier -
3G Capable

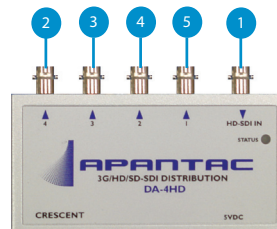
HDMI-HSDSI CONVERTER



- | | |
|----------------|----------------|
| 1 HDMI Input 1 | 3 SDI Output 1 |
| 2 HDMI Input 2 | 4 SDI Output 2 |
| | 5 12 DC Power |

- Supports SDI up to 3G
- Data rates from 125 Mbps - 2.97 Gbps
- Equalize up to 140 meters at 3G
- Reclocking
- SMPTE 424M, 292M, 344M, 259M

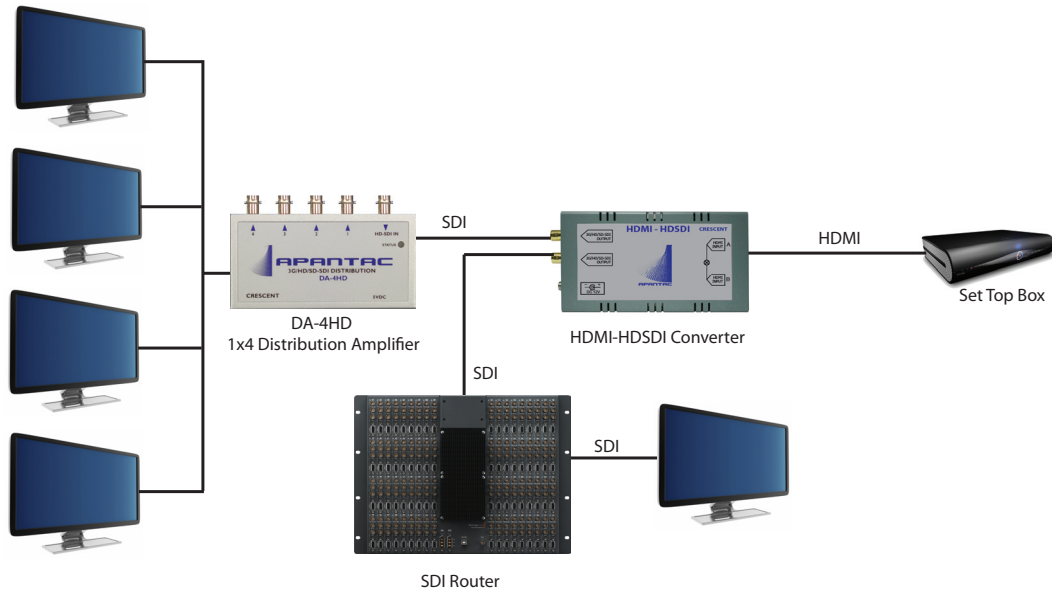
DA-4HD 1x4 DISTRIBUTION AMPLIFIER



- | | |
|----------------|----------------|
| 1 SDI Input | 3 SDI Output 2 |
| 2 SDI Output 1 | 4 SDI Output 3 |
| | 5 SDI Output 4 |

CRESCENT HDMI to SDI Converter 1x4 Distribution Amplifier

SYSTEM APPLICATION



SPECIFICATIONS

MODEL	HDMI-HDSDI	DA-4HD
Description	HDMI to SDI Converter with Looping Outputs	Reclocking 1 x 4 SDI Distribution Amplifier - 3G Capable
Inputs	2 x HDMI 1.3 (1 active) HDCP	1 x SDI Data rates: 125 Mbps to 2.97 Gbps
Outputs	2 x SDI - looping outputs 1080p, 1080i, 720p, 480i SD-SDI 50/59.94 HD-SDI 50/59.94 Hz	Data rates up to 2.97 Gbps, Reclocking Supports DVB-ASI at 270 Mbps for output 1 and 3 Capable of driving 2.97 Gbps sources up to 140 meters 1080p, 1080i, 720p, 480i
Power	12 VDC	DC 5V, 1000mA
Weight	1 lb (0.45 kg)	1 lb (0.45 kg)
Dimension	157 x 85.4 x 24.2 mm	62 W x 113 D x 29 H (mm)