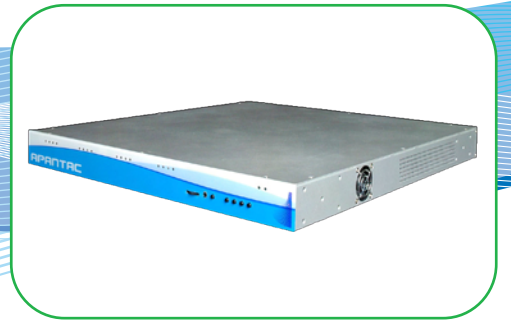


TAHOMA LI-4, LI-8 MULTIVIEWER



Key Features

- Looping video inputs - for further distribution or duplication of inputs-including 3G up to 140 meters
- Single frame processing delay
- 4 - 8 auto-detect HD/SD-SDI inputs (3G ready)
- 4 - 8 auto-detect PAL / NTSC composite inputs
- Available in HD/SD-SDI and composite models
- Upgrade from SD to HD, HD to 3G via software
- 16 channels of embedded audio per SDI input
- 4 channels of discrete audio per input (optional)
- Field upgradable to allow discrete audio (AES/AA)
- Multiple outputs in DVI, HDMI or VGA (option)
- Output resolution up to 2048x1080 (incl. 1080p)
- Built-in CATx extenders (1080p @ 115 feet) with optional receivers
- Multiple labels per video windows - UMD, OMD, IMD, standalone labels
- Automatic input aspect ratio detection
- Built-in video, audio alarm detections - no audio, audio high/low, no video, video black, video frozen
- Apantac skin technology allows on-screen graphical elements to be designed with any graphics tool
- Front panel headphone jack with volume adjustment for audio monitoring
- Front panel buttons for quick preset recalls
- 1RU with optional redundant power supply
- 3 year limited warranty

Accessories

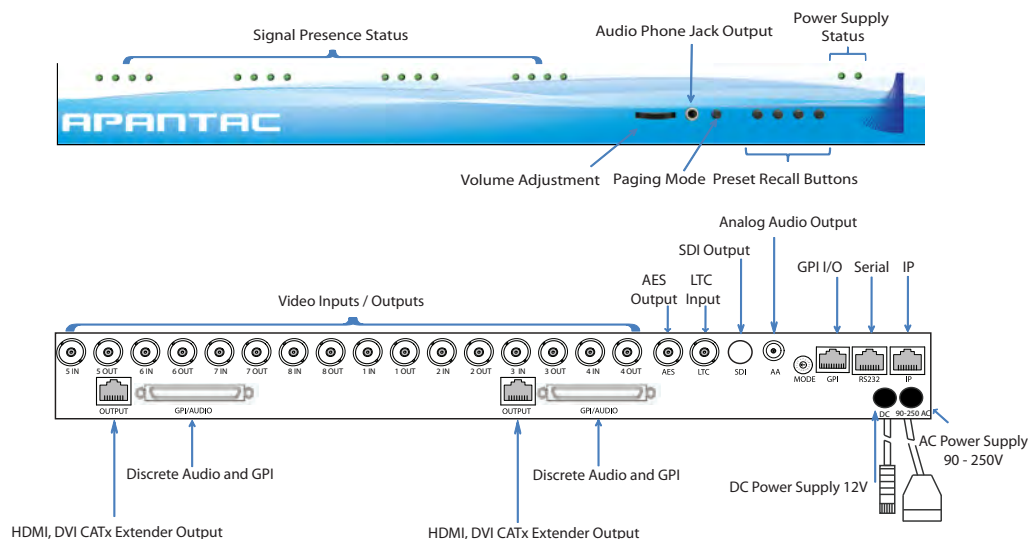
Standard

- 15 feet of CAT5 cable
- RJ45 to DVI Receiver
- RJ45 to HDMI Receiver
- Rack mount
- SCSI to DB9 for GPI
- RJ50 to DB9 for GPI
- RJ45 to DB9 for Serial
- CD (software, manual)

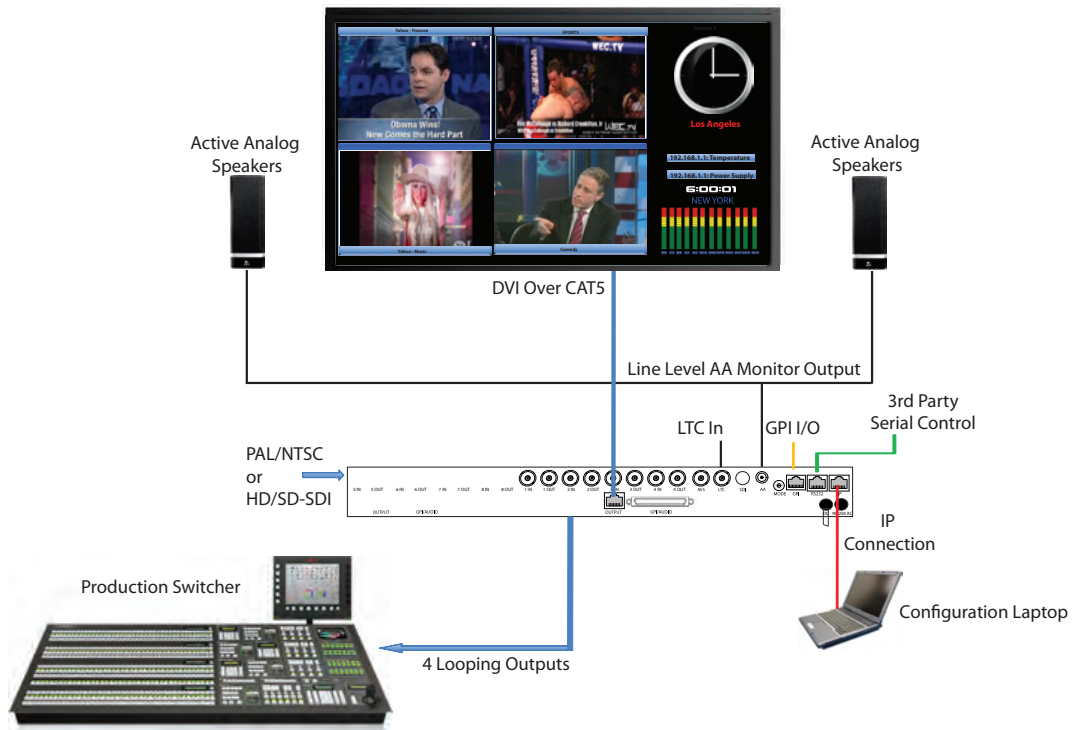
Options

- SDI output
- RJ45 (HDMI) to VGA Receiver
- 8 channel AES balanced or unbalanced breakout
- 16 channel AA balanced or unbalanced breakout
- Redundant power supply

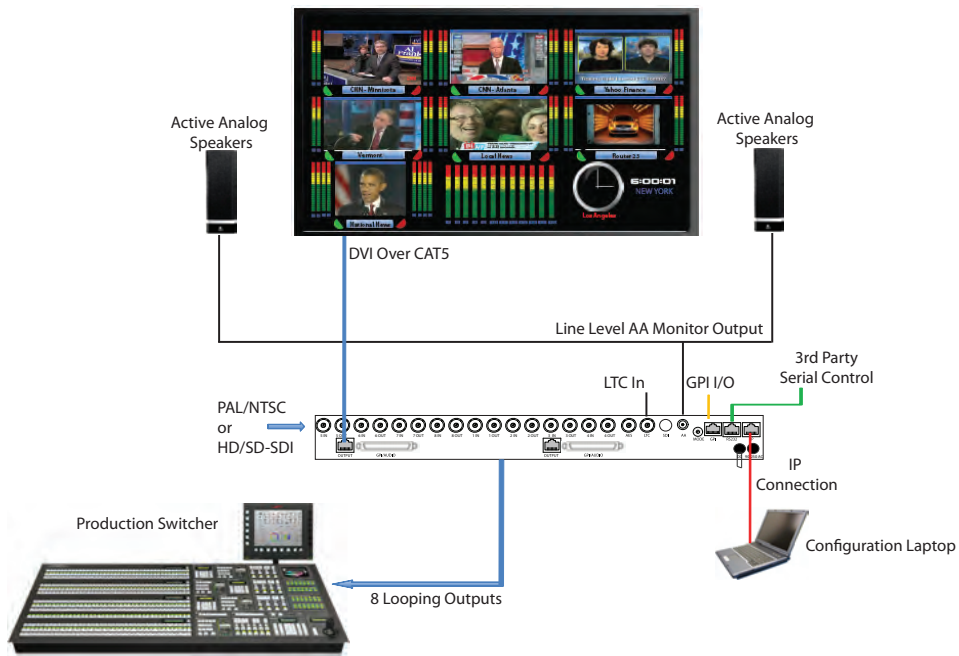
TAHOMA-LI-4, LI-8 Front / Rear Panel



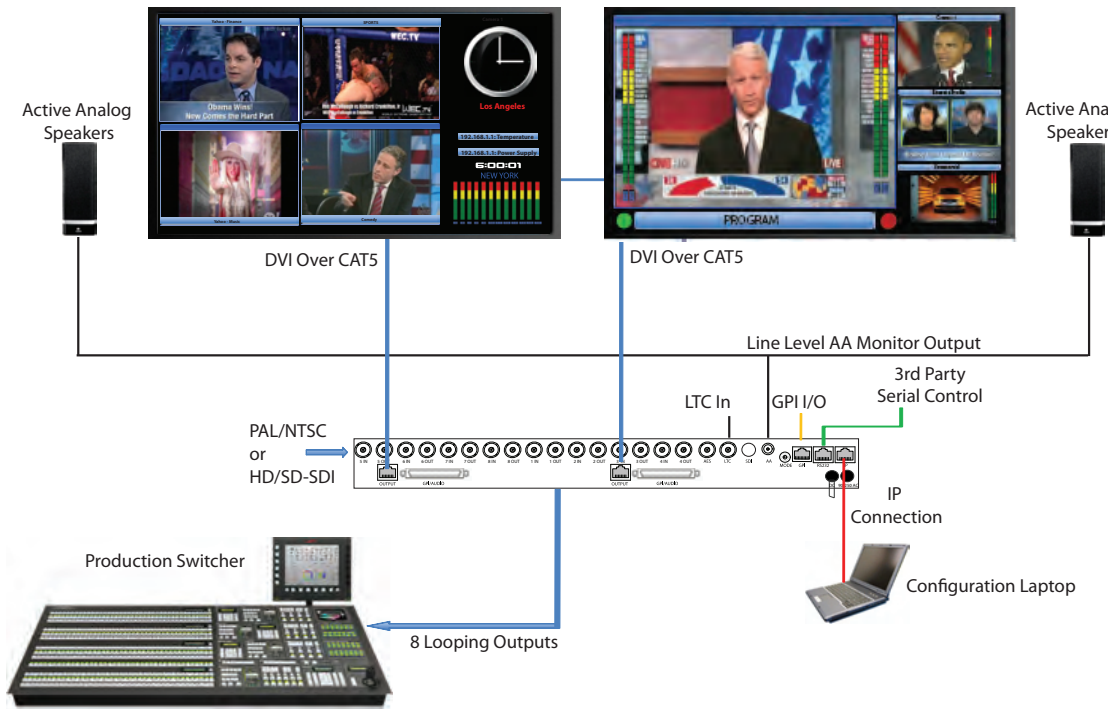
TAHOMA-LI-4 with 1 Output



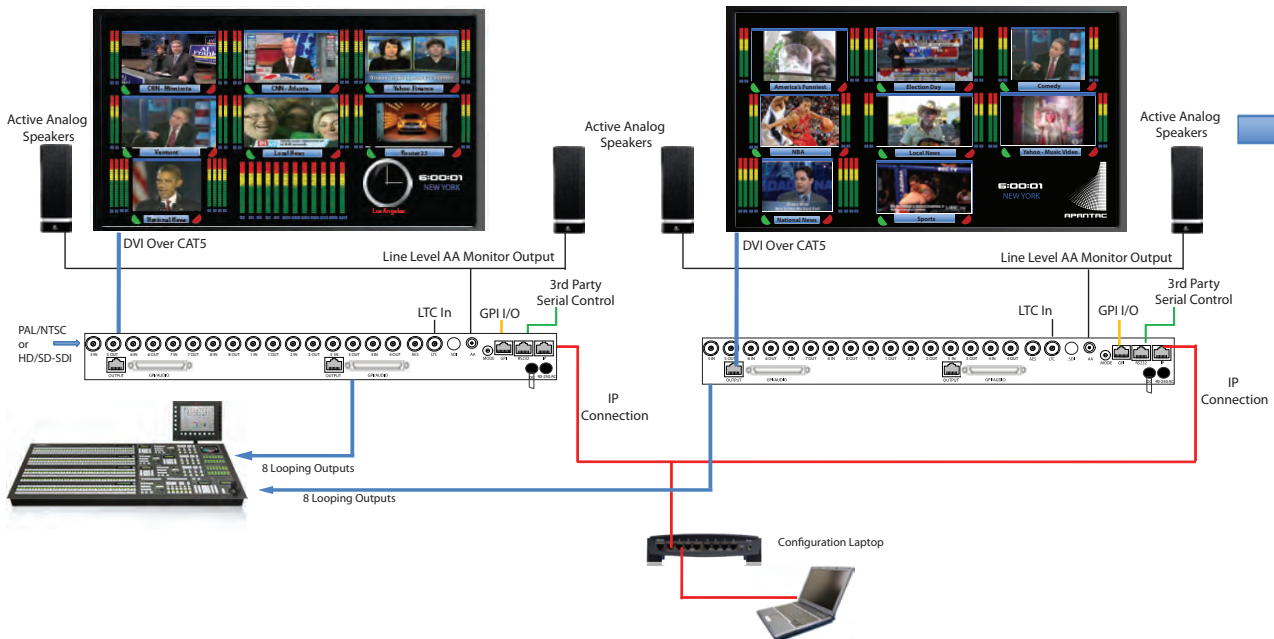
TAHOMA-LI-8 with 1 Output



TAHOMA-LI-8 with 2 Outputs, 4 Windows Each



Multiple TAHOMA-LI-8 Modules Controlled on a LAN



FLEXIBLE OUTPUTS

The TAHOMA-LI 1 RU Multiviewer has 2 flexible DVI/HDMI (1.2/3) / VGA outputs with user selectable resolutions up to 2048x1080 (including 1920x1080p).

The following table shows all of the various output configurations:

OUTPUT	1	2
INPUTS	4	4
	8	

Looping video (LI) inputs for further distribution or duplication of inputs
 - including 3G up to 140 meters

SPECIFICATIONS

Video Inputs (Looping)	Up to 8 HD/SD-SDI, Composite	AES Audio	8 channels, 75 ohm via BNC
Connectors	BNC IEC 61169-8 Annex A	Analog Stereo Audio	16 channels, via phone jack
Total Windows	4 or 8	Embedded Audio	SMPTE-272M-A
Serial Digital	HD-SDI (SMPTE-292M) and / or SD-SDI (SMPTE-259M-C)	Outputs	1-2 DVI, HDMI, VGA (option), 1 SDI (option)
Equalization	100m for HD-SDI, 300m for SD-SDI	Output Resolution	800 x 480 - 2048 x 1080 (1080p)
Return Loss	>15db up to 270Mb/s	Built-in CATx Extender	Up to 35 feet, extend up to 115 feet (option)
Embedded Audio	SMPTE-272M-A	On Screen Display	Skin Technology for customizing borders, labels (4 / window), fonts, tally LEDs, clock faces, logos, UMD, OMD, IMD, dynamic UMD
Composite	NTSC (SMPTE-170M), PAL (ITU624-2)	General Purpose IO	40 inputs with DB9 connectors
Signal Level	IV nominal	Serial Port	RS232 with RS422 or 485 option Connector RJ45, Baud Rate Up to 115200, Supported Protocols: TSL, TSI, AXP
DC Offset	0V, +-0.1V	IP	100 Base-TX, Supported Protocols: TSL, AXP, Connector: RJ45
Input Impedance	75 ohm	Electrical	100W , 90-250V 50/60 Hz
Return Loss	40db up to 5MHz	EMI/RFI	Complies with FCC Part 15, Class A, CE, EU EMC, C-tick
Alarms	No audio, audio high / low, no video, video black, video frozen, WSS, AFD	Power	Optional redundant power supply
Control	Front panel buttons for quick preset recalls, GPIs, Apantac ASCII Protocol (AXP), Director (config & control app)	Size	1RU, 44.5cm (17.5")W x 50cm (19.7") D