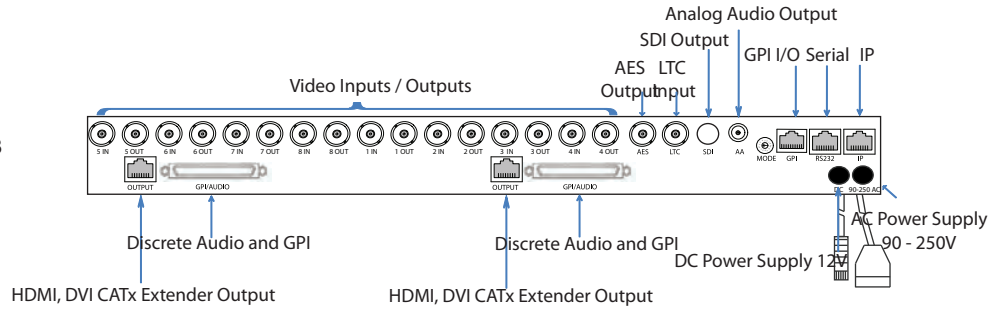


TAHOMA MULTIEWERS

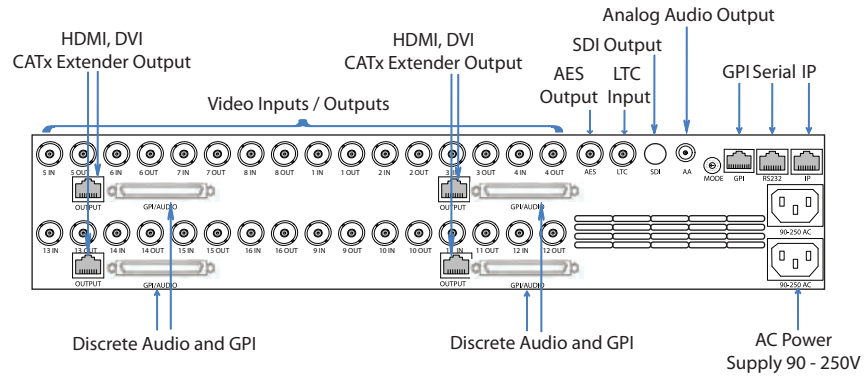
	TAHOMA-LE	TAHOMA-LX	TAHOMA-LI	TAHOMA-DE	TAHOMA-LC
INPUTS	4-32	16-32	4-16	2-16	4
INPUT FORMATS	HD-SDI SD-SDI Composite (PAL / NTSC)	HD-SDI SD-SDI	HD-SDI, SD-SDI or Composite (PAL / NTSC)	HDMI, DVI, VGA YPbPr, Composite, HD-SDI, SD-SDI	HD-SDI SD-SDI Composite (PAL / NTSC)
LOOPING INPUTS	No	No	Yes	No	No
EXTENDER	- Yes - Up to 35 feet with pas- sive receivers - Up to 115 feet with optional receivers	- Yes - Up to 35 feet with pas- sive receivers - Up to 115 feet with optional receivers	- Yes - Up to 35 feet with pas- sive receivers - Up to 115 feet with optional receivers	- Yes - Up to 35 feet with pas- sive receivers - Up to 115 feet with optional receivers	- Yes - Up to 35 feet with pas- sive receivers - Up to 115 feet with optional receivers
ROUTER	No	Yes	No	No	No
OUTPUTS	1-8	1-8	1-4	1-4	1
TOTAL WINDOWS	4, 8, 12, 16, 20, 24, 28, 32	4, 8, 12, 16, 20, 24, 28, 32	4, 8, 12 or 16	4, 8, 12 or 16	4
OUTPUT FORMATS	- DVI, HDMI - VGA - option - SDI - option	- DVI, HDMI - VGA - option - SDI - option	- DVI, HDMI - VGA - option - SDI - option	- DVI, HDMI - VGA - option - SDI - option	- DVI, HDMI - VGA - option - SDI - option
RESOLUTION	800 x 480 - 2048 x 1080 including 1920 x 1080 / 1080p				800 x 480 - 1920 x 1200 including 1920 x 1080 / 1080p
PRESETS	30	30	30	30	30
GRAPHICS	- Apantac Skin Technology - UMD, OMD, IMD, Tallies - Multiple labels per window - Borders - Clocks - Logos		- Apantac Skin Technology - UMD, OMD, IMD, Tallies - Multiple labels per window - Borders - Clocks - Logos		- UMD - Tallies - Borders
VIDEO / AUDIO ALARMS	No audio, audio high/ low, no video, video black, video frozen, WSS/ AFD	No audio, audio high/ low, no video, video black, video frozen, WSS/ AFD	No audio, audio high/ low, no video, video black, video frozen, WSS/ AFD	No audio, audio high/ low, no video, video black, video frozen	No audio, audio high/ low, no video, video black, video frozen, WSS/ AFD
AUDIO SUPPORT	- 16 channels embedded audio per input - 4 channels discrete analog or digital audio (option) - Audio associated with video windows or standalone audio meters - Analog or AES audio (option)				- 4 channels embedded audio per input
REDUNDANT POWER SUPPLY	- 1/2 width and 1RU - optional with external AC/ DC adapter - 2 RU - standard	- 1 RU - optional with external AC/DC adapter - 3 RU - standard	- 1 RU - optional with external AC/DC adapter - 2 RU - standard	- 1 RU - optional with external AC/DC adapter - 2 RU - standard	Optional with external AC/DC adapter
CONTROL	- Front panel buttons - Simple preset panel - Apantac ASCII protocol - Control Module with GPI inputs assigned to presets - Apantac Director Software	- Front panel buttons - Simple preset panel - Apantac ASCII protocol - Control Module with GPI inputs assigned to presets - Apantac Director Software	- Front panel buttons - Simple preset panel - Apantac ASCII protocol - Control Module with GPI inputs assigned to presets - Apantac Director Software	- Front panel buttons - Simple preset panel - Apantac ASCII protocol - Control Module with GPI inputs assigned to presets - Apantac Director Software	- Front panel buttons - Simple preset panel - Apantac ASCII protocol - Control Module with GPI inputs assigned to presets - Apantac Director Software
SIZE	1/2 wide 1 RU, 1 RU, 2 RU	1 RU 3 RU	1 RU 2 RU	1 RU 2 RU	1/2 wide 1 RU

TAHOMA-LI MULTIEWER REAR PANELS

1 RU for TAHOMA-LI-4, LI-8

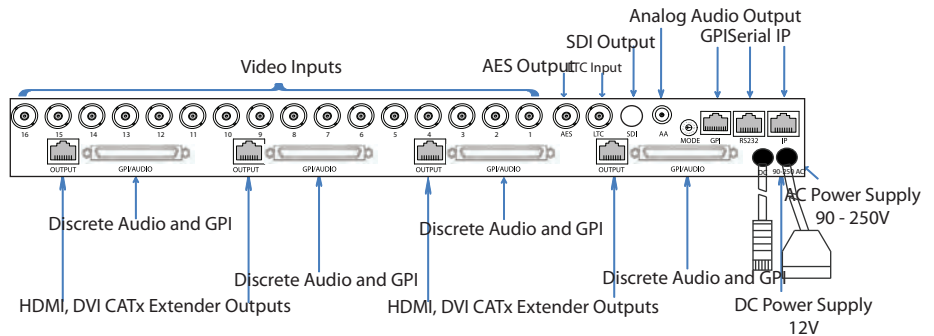


2 RU for TAHOMA-LI-12, LI-16

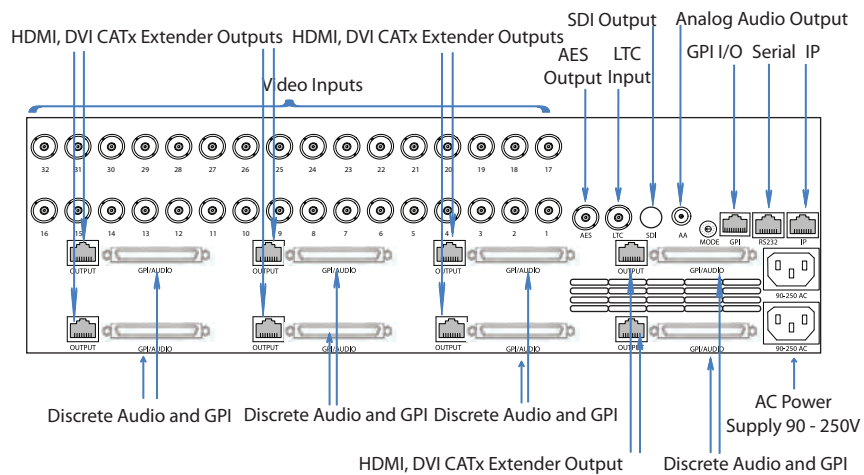


TAHOMA-LX MULTIEWER REAR PANELS

1 RU for TAHOMA-LX-4, LX-8
LX-12, LX-16

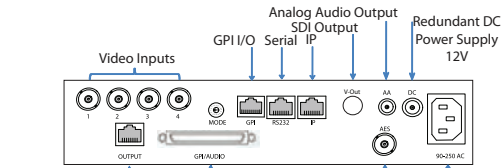


3 RU for TAHOMA-LX-16/32,
LX-20, LX-24, LX-28, LX-32

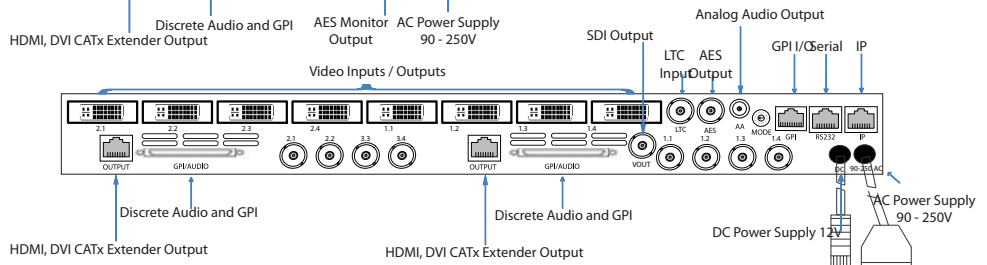


TAHOMA-LC and TAHOMA-DE MULTIVIEWER REAR PANELS

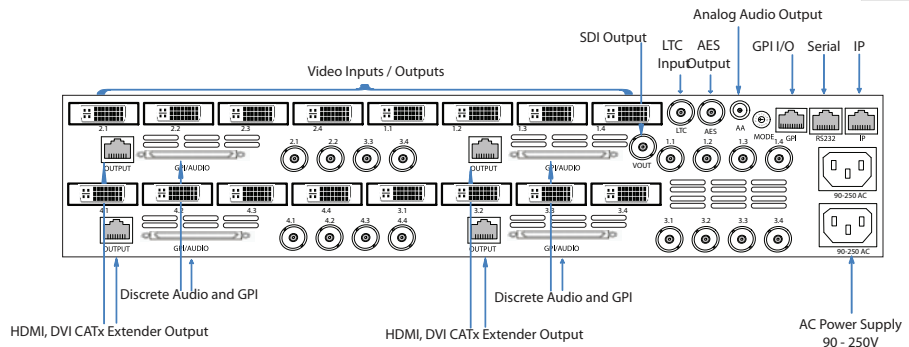
1/2 1 RU for TAHOMA-LC-4



1 RU for TAHOMA-DE-4

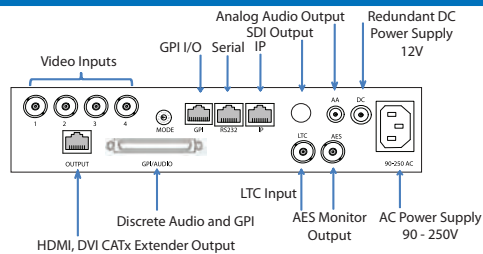


2 RU for TAHOMA-DE-16

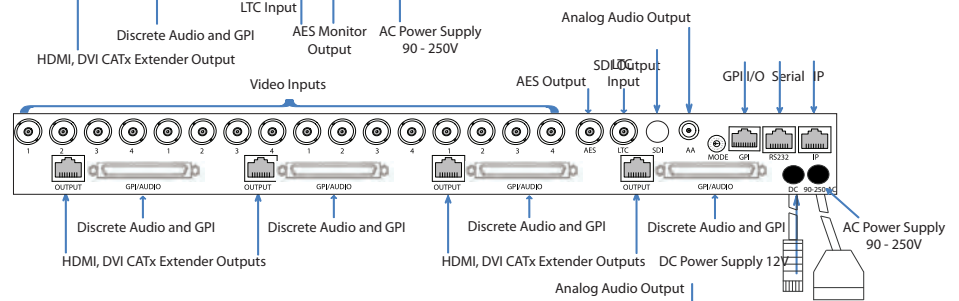


TAHOMA-LE MULTIVIEWER REAR PANELS

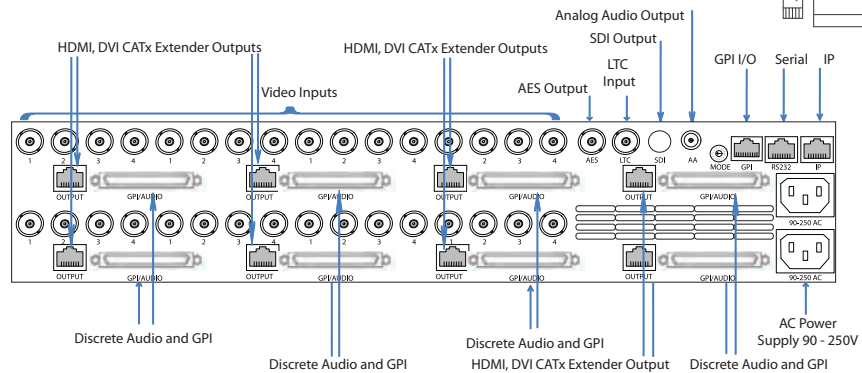
1/2 1 RU for TAHOMA-LE-4



1 RU for TAHOMA-LE-8, LE-12, LE-16



2 RU for TAHOMA-LE-20, LE-24, LE-28, LE-32



Apantac's TAHOMA platform consists of a variety of standard and optional accessories including:

- CATx cable
- RJ45 to DVI receiver
- RJ45 to HDMI receiver
- RJ45 to VGA receiver
- Rack mount
- SCSI to DB9 for GPI
- RJ50 to DB9 for GPI
- RJ45 to DB9 for RS port

TAHOMA ACCESSORIES

		
CATx Cable	GPI I/O Terminal Block	HDMI-1-SR
		
RJ45 - DVI, RJ45 - HDMI	RJ45 - DB9 - RS232	RJ50 - DB9 - GPI I/O
		
RPS - LE4	RPS - LE16	SCSI - DB0 - GPI I/O