

IQDRT

SDI Router (8x8, 6x4)

IQDRT is a range of serial digital video routers capable of routing up to 8x8 SDI signals. The unit takes in Serial 4:2:2, 4fsc or ASI video inputs, and routes each input to any number of the outputs.

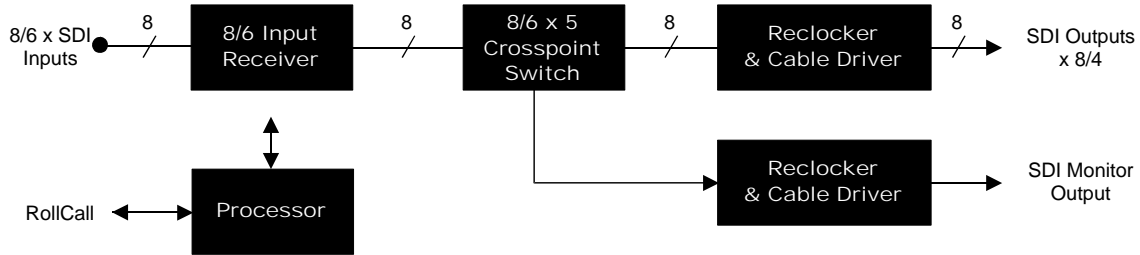
Does this module suit your application?

- 8x8/ 6x4 router for 4:2:2/ 4fsc/ ASI serial digital video signals
- Up to 8 independent 143, 177 or 270 Mbit/s SDI video inputs
- Each input can be routed to any number of the outputs
- Loss of input indication
- Automatic standards selection
- All input and output channels can be renamed
- The video outputs are reclocked and fully restored
- An Analog Reference input is provided for correct timing of video switching

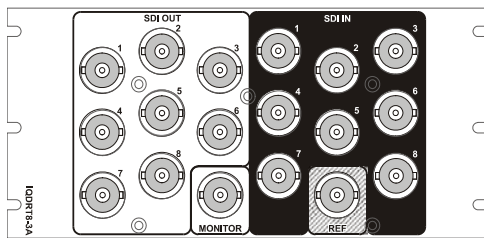
- Remote unit control through RollCall™
- Eight memory locations for storage and recall of selectable parameters

Why should you choose this module?

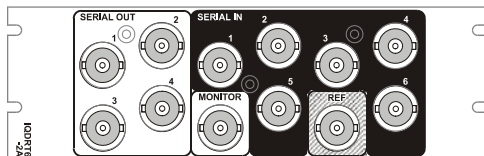
- A Digital Video router that enables source selection for all applications
- Can be used with 4fsc, 4:2:2 or ASI serial digital video
- Easy integration with the new RollCall operational control panels or with third party control panels
- Re-clocking outputs ensure there are no jitter problems downstream



Order codes for IQH3A/1A enclosures

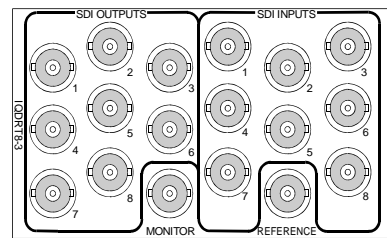


IQDRT8-3A SDI Router. 8 inputs, 8 outputs.

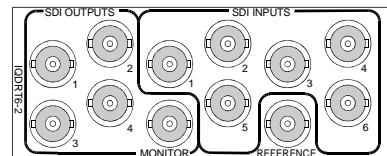


IQDRT6-2A SDI Router. 6 inputs, 4 outputs.

Order codes for other enclosures



IQDRT8-3-0 SDI Router. 8 inputs, 8 outputs.



IQDRT6-2-0 SDI Router. 6 inputs, 4 outputs.

For more details on enclosure types please refer to the Frames/Enclosures section

IQDRT

SDI Router (8x8, 6x4)

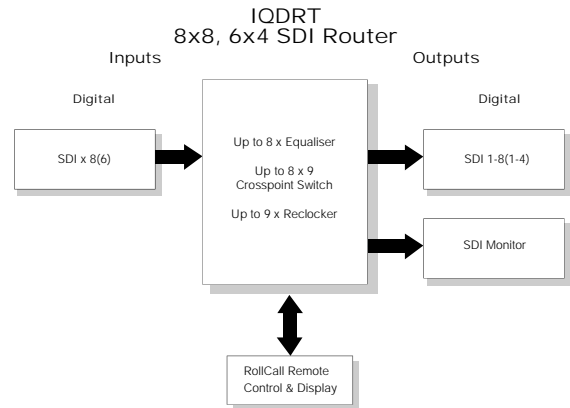
Inputs & Outputs

Signal Inputs

| | |
|------------------------------|---|
| Serial Input IQDRT8 | 8 SDI |
| Serial Input IQDRT6 | 6 SDI |
| Standards | SMPTE 259M-ABC-1997, DVB_ASI |
| Analog Video Reference | Black burst 625/525 line terminated by 75 ohms |

Signal Outputs

| | |
|----------------------------|---------------------------------|
| Serial Output IQDRT8 | 8 SDI |
| Serial Output IQDRT6 | 4 SDI |
| Standards | SMPTE 259M-ABC-1997, DVB_ASI |
| Monitor Output (SDI) | 1 x 270 Mb/s |
| Standards | SMPTE 259M-C-1997 |



Card Edge & RollCall Controls

Card Edge Controls (also available via RollCall)

| | |
|----------------------------|--|
| Router Configuration | Independently configure the 8 outputs to any of the 8 inputs |
| Take Button | Initiates Routing |

Indicators

| | |
|----------------------|---|
| SDI Input Loss | Illuminates when the input SDI is lost |
| Take LED | FLASHES when routing assignment has changed and requires initiating via the take button |
| Power OK | +5 V, -5 V and top card +5 V |

Functions Available via RollCall™ Only

| | |
|------------------------------|--|
| Router Configuration | Displays current router configuration |
| SDI Input Status | Displays SDI Input Status |
| Video Reference Status | Displays Reference standard and Status |
| Logging | Input Loss, EDH Error and Reference Status |
| Channel Renaming | Labeling of all sources and destinations |
| 8 Memory Stores | Storage and Recall of Selected Parameters |
| Switching Point | Frame or Field switching |

Specifications

Note that these modules perform re-clocking.

| | |
|----------------------------------|---|
| Input Return Loss | better than 15 dB to 270 MHz |
| Maximum Input Cable Length | Better than 150 m (D1 270 MHz) Typically 200 m |

Output Return Loss

better than 15 dB to 270 MHz

Power Consumption

| | |
|---------------------------------|------------|
| Module Power Consumption IQDRT8 | 17.1 W max |
| IQDRT6 | 12.1 W max |