

IQMDDM-T

ASI 2x1 Router, Distribution Amplifier & Stream Monitor with Template Matching

The IQMDDM-T provides either of 2 inputs with up to 8 equalized and reclocked outputs. Features include fully programmable MPEG2 transport stream monitoring, and template matching for powerful automated monitoring.

All outputs are re-clocked and transformer coupled. There is independent control of the input to be passed to the distribution amplifier outputs and the input to be passed to the transport stream monitor. The module monitors the MPEG2 transport stream to TR101290 measurement methods.

Does this module suit your application?

- ASI 2-to-1 multiplexer and distribution amplifier
- MPEG2 Transport Stream Monitor
- Industry unique Template Matching
- Independent selection of monitored stream and distribution amplifier input
- User programmable minimum and maximum TS bitrate thresholds
- Fully programmable TR101290 monitoring to match each transmission system specifications
- TR101290 parameters checked:
 - ✓ TS_Sync_Loss
 - ✓ Sync_Byte_Error
 - ✓ PAT_Error
 - ✓ Continuity_Count_Error
 - ✓ PMT_Error
 - ✓ PID_Error
 - ✓ Programmable timeouts on all PIDs
 - ✓ 2.1 Transport_Error
 - ✓ 2.2 CRC_Error
 - ✓ 3.4 Unreferenced_PID
- Other Monitoring:
 - ✓ Illegal Characters
 - ✓ Packet size - 188/204/208
- Template matching in real time against 10 user programmable/downloadable PSI/SI templates
- Parameters matched in template:
 - ✓ Network_id
 - ✓ Transport stream_id
 - ✓ Transport Stream bitrate (min/max)
 - ✓ Packet size
 - ✓ Number of services
 - ✓ Service_ids
 - ✓ Number and PIDs of components in each service
 - ✓ Bitrate of video and audio PIDs (max/min)
 - ✓ Encryption status of each component
 - ✓ Running Status Table (RST) content

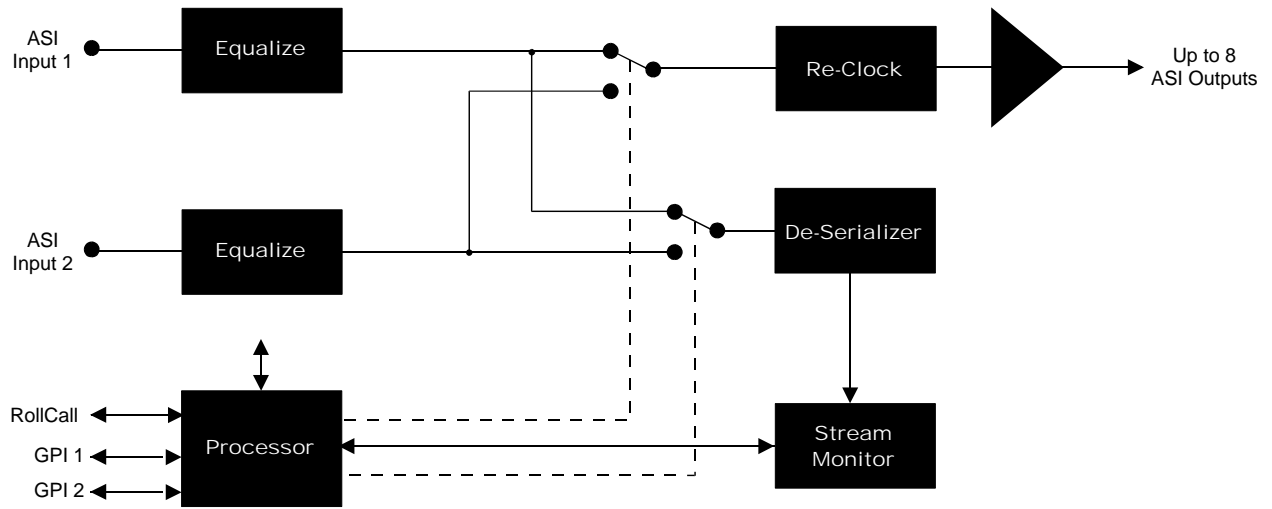
- Quick selection of up to 8 preset configurations
- Quick selection of up to 10 locally stored templates
- Equalized and transformer coupled input
- Input auto-select mode allows unit to switch inputs on detection of pre-determined conditions
- 4/8 Reclocked and transformer coupled outputs
- 2 Configurable GPI ports
- RollCall remote control

Why should you choose this module?

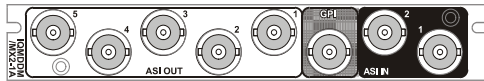
- Fully programmable TR101290 monitoring to match each transmission system specification
- Continuous matching of the transport stream program structure against up to 10 user-definable templates provides powerful automated monitoring
- Independent selection of monitored stream and distribution amplifier input
- A user specified minimum and maximum TS bitrate threshold can be used to detect an "empty" stream, and either generate a log entry or switch inputs
- The combined detection of sync loss, carrier loss and bitrate threshold errors now allows the IQMDDM to detect practically all modes of catastrophic input failure
- The template matching feature allows a number of templates to be downloaded and continuously compared against the input transport stream, so that any unexpected change in services and components can be detected
- ASI 2-to-1 router and distribution amplifier
- 2 Configurable GPI ports

IQMDDM-T

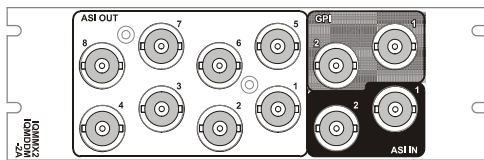
ASI 2x1 Router, Distribution Amplifier & Stream Monitor with Template Matching



Order codes for IQH3A/1A enclosures

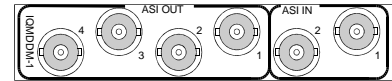


IQMDDM-1A-TM ASI Distribution Amplifier and Stream Monitor with Template Matching. 5 outputs. Transformer coupled.

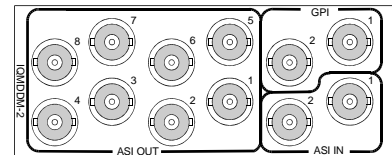


IQMDDM-2A-TM ASI Distribution Amplifier and Stream Monitor with Template Matching. 8 outputs. Transformer coupled.

Order codes for other enclosures



IQMDDM-1-TM ASI Distribution Amplifier and Stream Monitor with Template Matching. 4 outputs. Transformer coupled.



IQMDDM-2-TM ASI Distribution Amplifier and Stream Monitor with Template Matching. 8 outputs. Transformer coupled.

For more details on enclosure types please refer to the Frames/Enclosures section

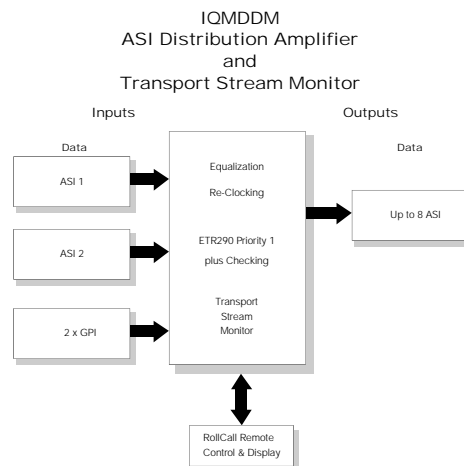
Inputs & Outputs

Signal Inputs

- ASI 1 ASI (270 Mbit/s)
- ASI 2 ASI (270 Mbit/s)
- Standards..... DVB-ASI, EN50083-9 section 4.3.
- GPI 1..... (-2 only) Configurable as:
 - 1) Data polarity switch input-Closing contact
 - 2) Loss of signal warning
- GPI 2..... (-2 only) Configurable as:
 - 1) Data polarity switch input-Closing contact
 - 2) Loss of signal warning

Signal Outputs

- Serial Data..... Up to 8 ASI (270 MBit/s)



IQMDDM-T

ASI 2x1 Router, Distribution Amplifier & Stream Monitor with Template Matching

Card Edge & RollCall Controls

Card Edge Controls (also available via RollCall)

DA Input Select Input 1/ Input 2

Indicators

Power OK..... 2 x Green LED

ASI 1 Signal absent Red LED

ASI 2 Signal absent Red LED

ASI 1 selected Yellow LED

ASI 2 selected Yellow LED

Functions Available via RollCall™ Only

DA Input Select Input 1/Input 2/Auto

Log signal loss..... Off/input 1/input 2/either input

Log TR101290 error..... Off/enable individual parameters

Set PID timeout video/audio/data/PAT/PMT
1 ms – 1000 s

Show error counts Sync/ETR/RVS/input loss/all
(any combination)

Reset error counts Sync/ETR/RVS/input loss/all
(any combination)

GPI configuration Input/Output

GPI sense Inverted/Non-inverted

GPI 1 trigger Input1 loss/input 2 loss/either
input loss/sync loss/TR101290
error/Bitrate threshold error/Carr-
Sync-BR
(any combination)

GPI 2 trigger input1 loss/input 2 loss/either
input loss/sync loss/TR101290
error/Bitrate threshold error/Carr-
Sync-BR
(any combination)

Labelling of inputs..... up to 8 ASCII characters

Specifications

Serial Input Return Loss Better than -15 dB to 270 MHz

Maximum Input Cable Length
>100 m (PSF1/2 or equiv. cable)

Signal Output Level 800 mV ±10%

Output Return Loss Better than -15 dB to 270 MHz

Output Jitter < 0.2 UI

Power Consumption

Module Power Consumption 6.9 W max