

IQMMX2

ASI 2x1 Router

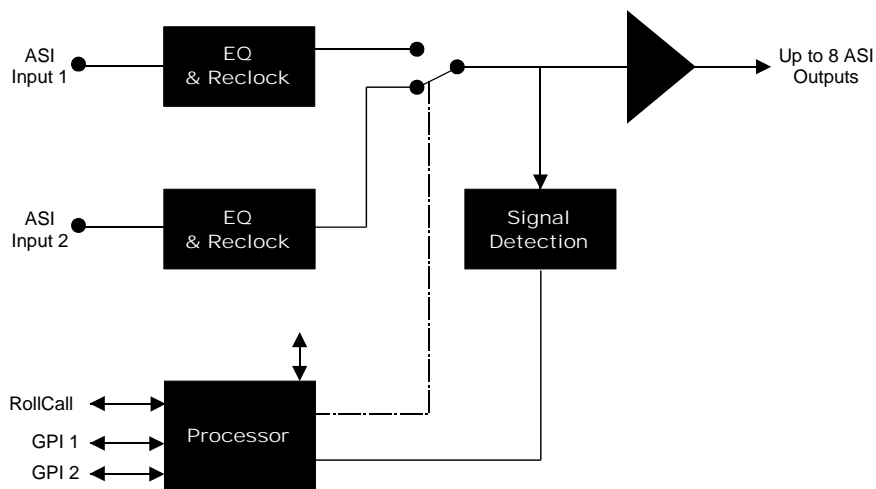
The IQMMX2 is an ASI two input router and distribution amplifier.

Does this module suit your application?

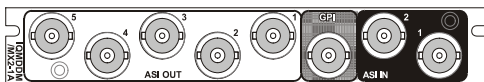
- ASI 2x1 Router
- Two equalized and transformer coupled inputs
- Up to 8 Re-clocked and transformer coupled outputs
- 2 configurable GPI Ports
- Monitoring of signal presence, featuring auto input change over on loss of carrier signal
- RollCall remote control

Why should you choose this module?

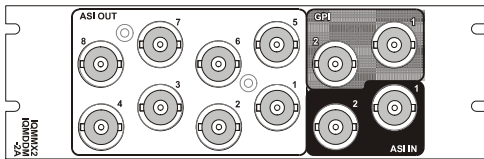
- Two equalized and transformer coupled inputs
- Up to 8 Re-clocked and transformer coupled outputs
- 2 configurable GPI Ports



Order codes for IQH3A/1A enclosures

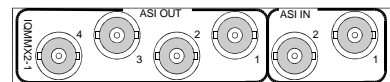


IQMMX2-1A ASI 2x1 Switch. 5 outputs. Transformer coupled.

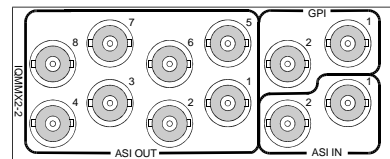


IQMMX2-2A ASI 2x1 Switch. 8 outputs. Transformer coupled.

Order codes for other enclosures



IQMMX2-1 ASI 2x1 Switch. 4 outputs. Transformer coupled.



IQMMX2-2 ASI 2x1 Switch. 8 outputs. Transformer coupled.

For more details on enclosure types please refer to the Frames/Enclosures section

IQMMX2

ASI 2x1 Router

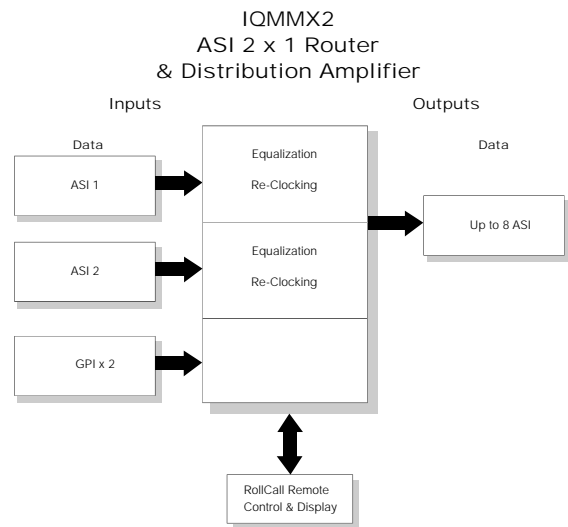
Inputs & Outputs

Signal Inputs

ASI 1 ASI (270 MBit/s)
ASI 2 ASI (270 MBit/s)
Standards..... DVB-ASI, ETR290
GPI 1 (Double width only) ... Configurable as:
1) Input Select - Closing contact
2) Loss of data warning
GPI 2 Configurable as:
1) Input Select - Closing contact
2) Loss of data warning

Signal Outputs

Serial Data..... Up to 8 ASI (270 MBit/s)
Standards..... DVB-ASI, ETR290



Card Edge & RollCall Controls

Card Edge Controls (also available via RollCall)

Input Select Input 1/ Input 2

Indicators

Power OK..... Green LED (x2)
ASI 1 Signal Absent Red LED
ASI 2 Signal Absent Red LED
ASI 1 Selected..... Yellow LED

ASI 2 Selected Yellow LED

Functions Available via RollCall™ Only

Log Signal Absence On/Off
Input Select INPUT 1/ Input 2/ Auto
GPI Configuration Input/ Output
GPI Sense Inverted/ Non-inverted
Labeling of inputs Up to 8 ASCII Characters

Specifications

Serial Input Return Loss..... Better than -15 dB to 270 MHz
Maximum Input Cable Length
>100 m (PSF1/2 or equiv. cable)
Signal Output Level 800 mV ±10%

Output Return Loss Better than -15 dB to 270 MHz
Output Jitter < 0.2 UI

Power Consumption

Module Power Consumption 5.1 W max