

# IQSRT21(20)

Digital Router (8x1, 4x1)

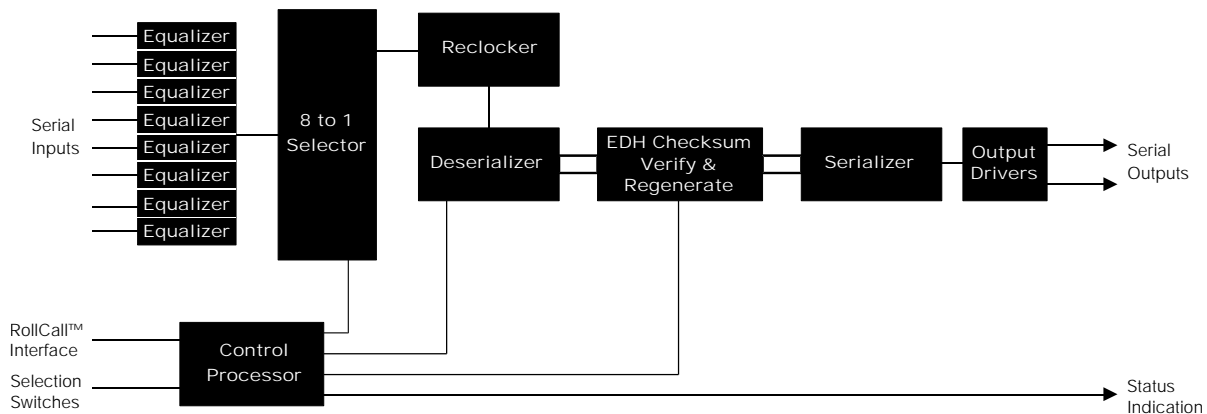
The IQSRT20 and IQSRT21 are 4 and 8 input router/switchers for both serial 4:2:2 and 4fsc video signals.

## Does this module suit your application?

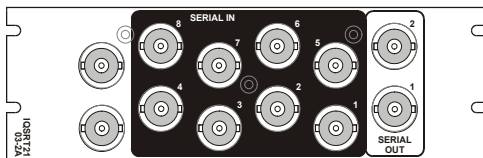
- 8(4) x 1(1) switcher/routers
- EDH function provides:
  - ◆ EDH code checking and insertion to SMPTE RP 165
  - ◆ EDH error statistics reporting over the RollCall network
  - ◆ EDH error history displayed on card edge LEDs
- Auto input format detect

## Why should you choose this module?

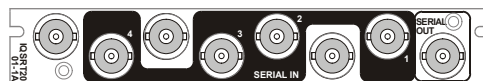
- Serial digital routers that enable source selection for all applications
- Can operate in the serial 4:2:2 or 4fsc domain so are ideal for use in D2/D3 applications, like edit suites, that may be changed to 4:2:2
- Can be controlled from any RollCall control panels, including the dedicated Rpan router control panel, or third party control panels using GPI or serial RS422/RS232 interfacing via additional IQCGPI or IQSPI00 modules respectively



## Order codes for IQH3A/1A enclosures

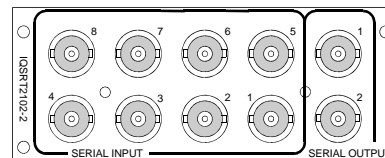


IQSRT2103-2A 8 in/1 out Router (EDH) 2 outputs of the same source.

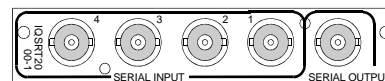


IQSRT2001-1A 4 in/1 out Router (EDH) 1 output.

## Order codes for other enclosures



IQSRT2102-2 8 in/1 out Router (EDH) 2 outputs of the same source.



IQSRT2000-1 4 in/1 out Router (EDH) 1 output.

**For more details on enclosure types please refer to the Frames/Enclosures section**

# IQSRT21(20)

Digital Router (8x1, 4x1)

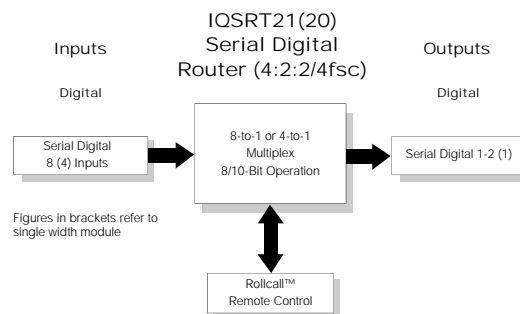
## Inputs & Outputs

### Signal Inputs

Serial Input ..... 4 (IQSRT20) or 8 (IQSRT21) SDI  
Standards..... SMPTE 259M-ABC-1997

### Signal Outputs

Serial ..... 1 (IQSRT20) or 2 of the same  
source (IQSRT21) serial digital  
Standards..... SMPTE 259M-ABC-1997



## Card Edge & RollCall Controls

### Card Edge Controls (also available via RollCall)

Channel Select ..... 1 of 8 (4) channels  
EDH Reset

### Functions Available via RollCall™ Only

Auto-Cycle ..... Rate from 1 to 32,000 fields

SDI Check ..... Format Queried (525/625)  
EDH..... Error History  
Logging ..... Channel Names  
EDH Errors  
Input Signal Status

## Specifications

### Note that these modules perform re-clocking.

Input Return Loss ..... better than 15 dB to 270 MHz  
Maximum Input Cable Length  
125 m (D1 270 MHz)  
Output Return Loss ..... better than 15 dB to 270 MHz

D1 Video Delay ..... approximately 425 ns

### Power Consumption

Module ..... IQSRT20/21 – 7 W max