

MT HOOD

Touch-Screen Extender / Receiver (USB)

- Extend VGA signals with USB control over a single CAT 5/5e/6 cable
- Maximum VGA resolution of 2048 x 1536 up to 1,000 feet (300 meters)
- USB remote control of touch-screens, on/off switches
- Remote / local monitors and speakers operate simultaneously
- Plug and Play - no software required
- Video gain and focus control for image quality adjustment
- Supports MS-DOS, Windows, Unix, Linux, Novell, FreeBSD operating systems
- Ideal for Point of Sale and Digital Signage Applications

TSE-1-Eu: Transmitter



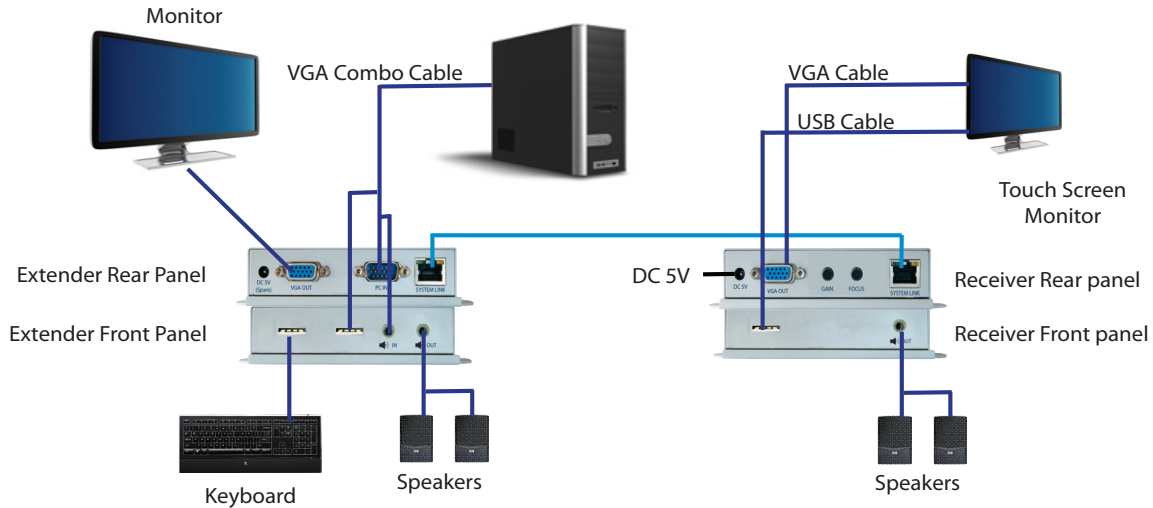
- | | |
|---|------------------------|
| 1 DC 5V (Optional) | 5 Local Mouse/Keyboard |
| 2 VGA Output | 6 Audio Input |
| 3 From PC [VGA+Audio USB (5v)] | 7 Audio Output |
| 4 System Link Status
Yellow - Power Status
Green - VGA Status | |

TSE-1-Ru: Receiver



- | | |
|---|-----------------------|
| 1 DC 5V | 5 USB for Touch Panel |
| 2 VGA Output | 6 Audio Output |
| 3 Gain / Focus | |
| 4 System Link Status
Yellow - Power Status
Green - VGA Status | |

TSE-1-Eu / TSE-1-Ru Connection Diagram



Touch-Screen Data Cable



CBK 1510 AU

What is in the Box

PART #	DESCRIPTION
TSE-1-Eu	Touch-Screen Extender (USB)
TSE-1-Ru	Touch-Screen Receiver (USB)
Manual	
1x 1m VGA+Audio+USB cable (CBK 1510 AU)	
DC 5V 1A power supply	

Specifications

MODEL		TSE-1-Eu	TSE-1-Ru
DESCRIPTION		Transmitter	Receiver
INPUT	Monitor	HD-15 (Male)	HD-15 (Male)
	Keyboard, Mouse	USB Type A (Female)	USB Type A (Female) Touch Screen Control Port
	Speaker	3.5 mm Jack	3.5 mm Jack
OUTPUT	Monitor	VGA + Keyboard + Mouse + Speaker	N/A
	Keyboard, Mouse	Combo Cable	
	Speaker		
SYSTEM LINK		RJ45	RJ45
FINE ADJUSTMENTS		N/A	Gain and Focus
MAX. RESOLUTION / DISTANCE		2048 x 1536 @ 1,000 feet (300 meters)	
POWER SUPPLIES		via USB or optional DC 5V 1,000 mA	
SIZE		113 mm (W) x 62 (D) x 29 (H)	