

TAHOMA LE-4 MULTIVIEWER



Key Features

- 3G ready - upgrade to 3G at any time
- Single frame processing delay
- Up to 4 auto-detect HD/SD-SDI, PAL/NTSC inputs
- Available in 3 versions: Composite, SD-SDI & Composite, and HD/SD-SDI & Composite
- 16 channels of embedded audio per SDI input
- 4 channels of discrete audio per input (optional)
- Supports DVI, HDMI, VGA outputs
- Supports full 10-bit HDMI 1.3 outputs
- Output resolution up to 2048x1080 (incl. 1920x1080p)
- Built-in CATx extenders - extend 1080p (DVI/HDMI) up to 115 feet with optional receivers
- Multiple labels per video windows - UMD, OMD, IMD, standalone labels
- Automatic input aspect ratio detection
- Built-in video, audio alarm detections - no audio, audio high/low, no video, video black, video frozen

- Apantac skin technology allows on-screen graphical elements to be designed with any graphics tool
- Field upgradable to allow discrete audio (AES/AA)
- Front panel headphone jack with volume adjustment for audio monitoring
- Front panel buttons for quick preset recalls
- Optional redundant power supply (built-in adapter)
- 3 year limited warranty

Accessories

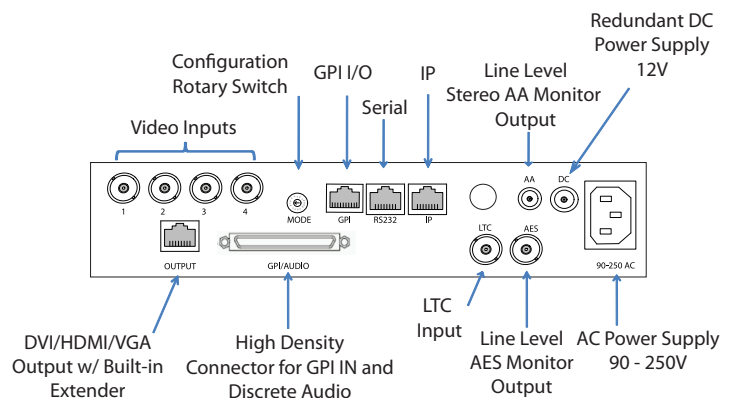
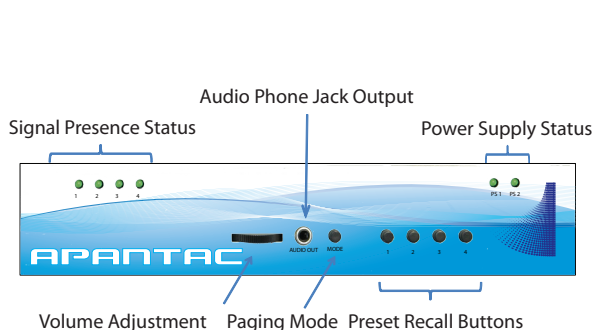
Standard

- 1x 15 feet of CAT5 cable
- 1x RJ45 to DVI Receiver
- 1x RJ45 to HDMI Receiver
- 1x rack mount
- 1x SCSI to DB9 for GPI
- 1x RJ50 to DB9 for GPI
- 1x RJ45 to DB9 for RS port

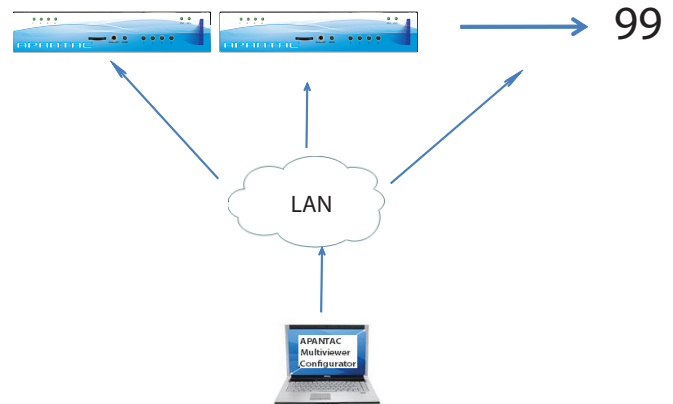
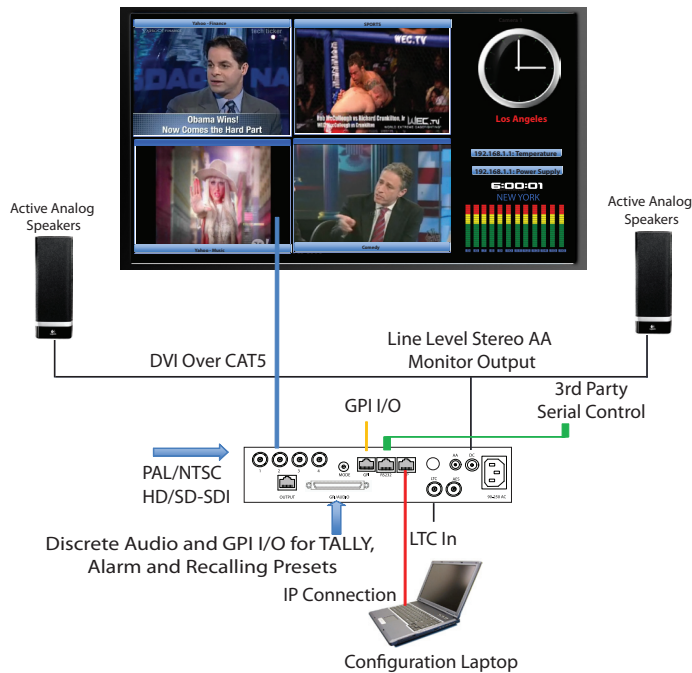
Options

- RJ45 to VGA Receiver
- 8 channel AES balanced or unbalanced breakout
- 16 channel AA balanced or unbalanced breakout
- Optional redundant power supply

Tahoma LE-4 Front / Rear Panel



Tahoma LE-4 with 1 Output



Multiple Tahoma LE-4 units can be controlled simultaneously on a local area network (LAN)

Specifications

VIDEO INPUTS	
Number of Inputs	Up to 4
Connectors	BNC IEC 61169-8 Annex A
Serial Digital	HD-SDI (SMPTE-292M) and / or SD-SDI (SMPTE-259M-C)
Equalization	100m for HD-SDI, 300m for SD-SDI
Return Loss	>15db up to 270Mb/s
Embedded Audio	SMPTE-272M-A
Composite	NTSC (SMPTE-170M), PAL (ITU624-2)
Signal Level	1V nominal
DC Offset	0V, +-0.1V
Input Impedance	75 ohm
Return Loss	40db up to 5MHz
AUDIO OUTPUT	
AES	75 ohm via BNC
Analog Stereo	Via phone jack
DIMENSIONS	1/2 width of IRU, 21.5cm (8.5") W x 37cm (14.6") D

DISPLAY OUTPUTS	
Standard	DVI,VGA HDMI 1.2/3 with Built-in CATx Extenders
Resolution	Up to 2048x1080 50/60 Hz
GENERAL PURPOSE I/O	
Number of Inputs	16
Connector	DB9
SERIAL PORT	RS232 with RS422 or 485 option
Connector	RJ45
Baud Rate	Up to 115200
Format	TSL, TSI, AXP
ETHERNET	
Network Type	100 Base-TX
Connector	RJ45
ELECTRICAL	25W
Voltage, Power	90-250V 50/60 Hz, 25W
EMI/RFI	Complies with FCC Part 15, Class A, CE, EU EMC, C-tick